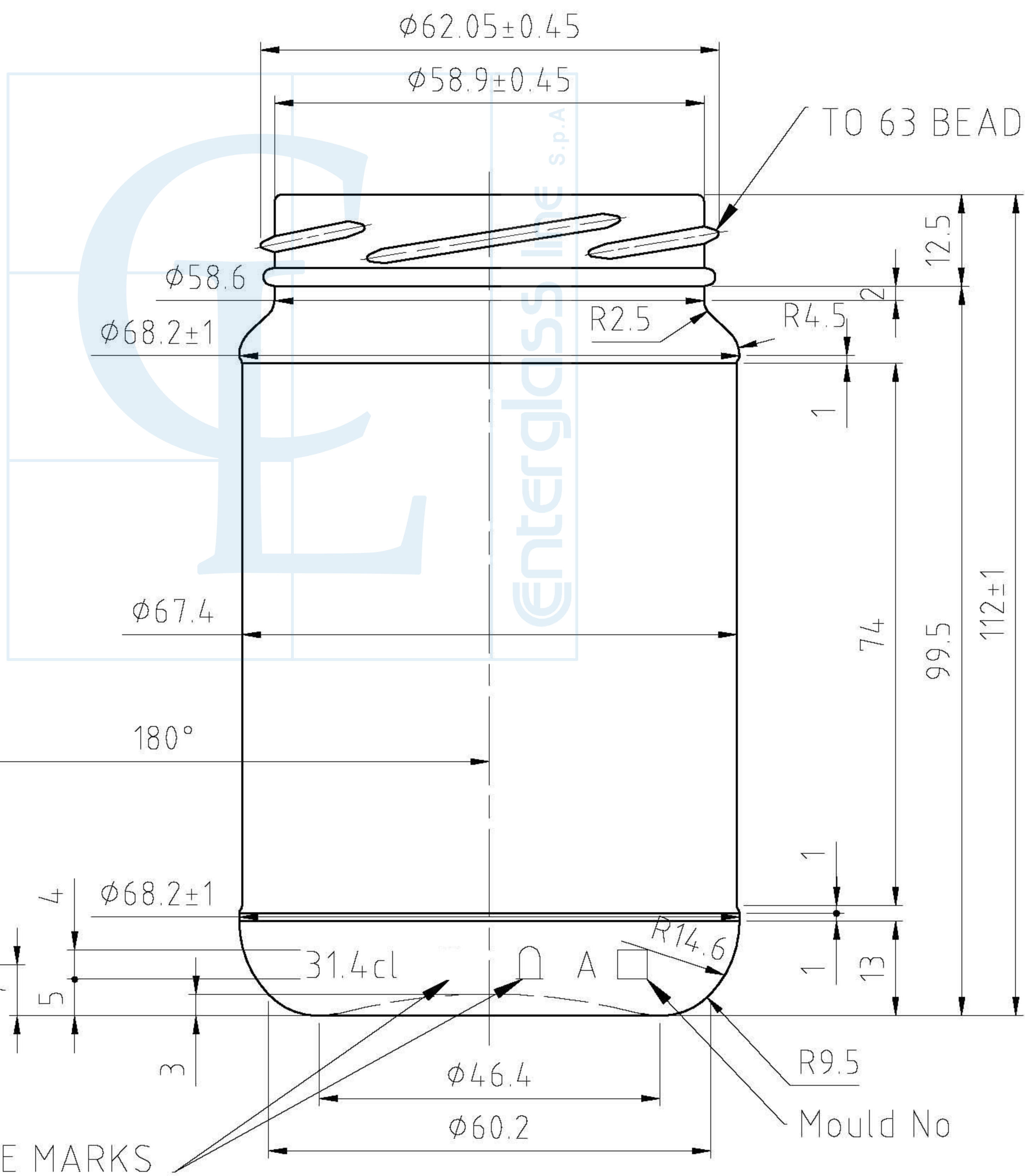
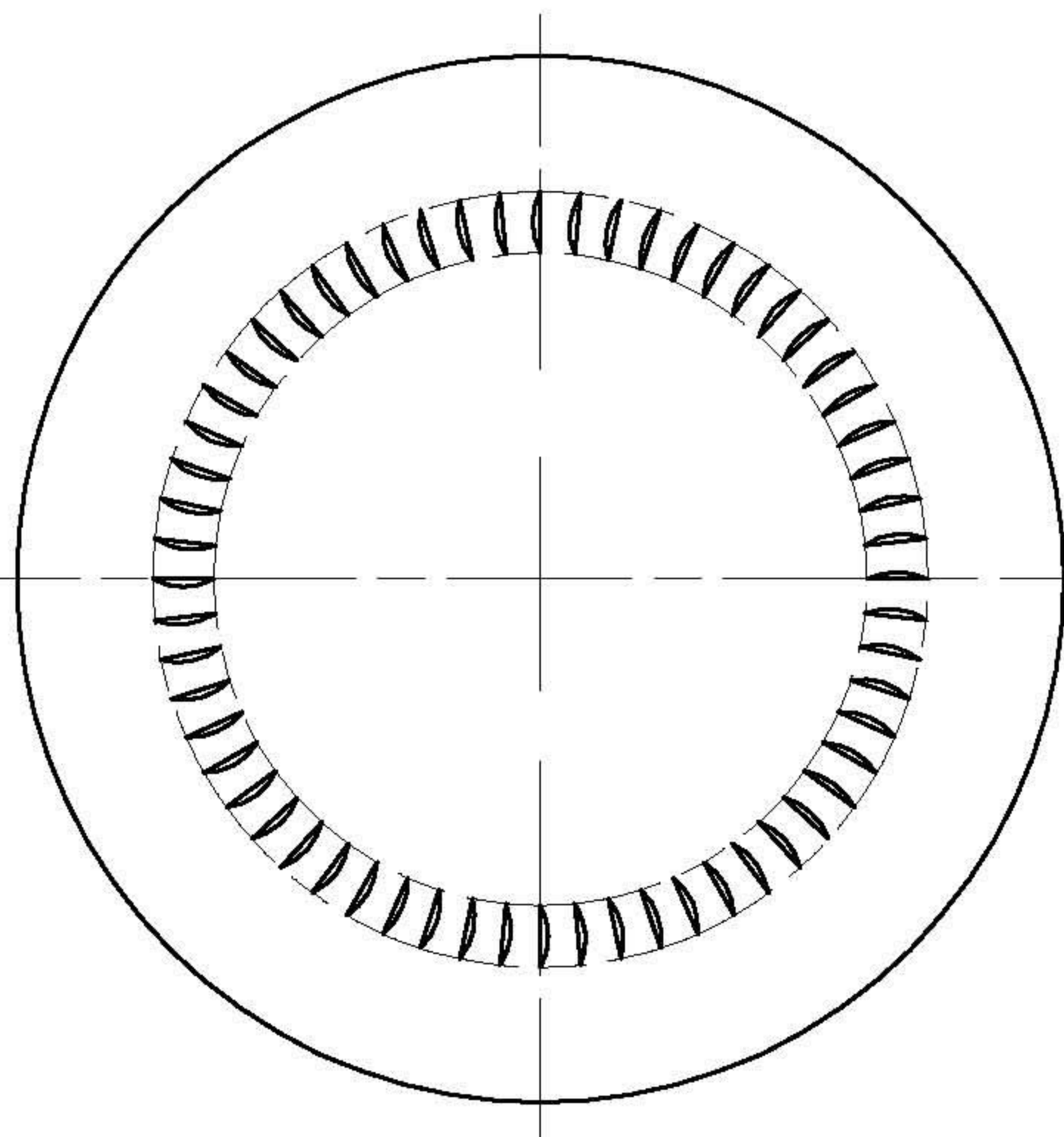
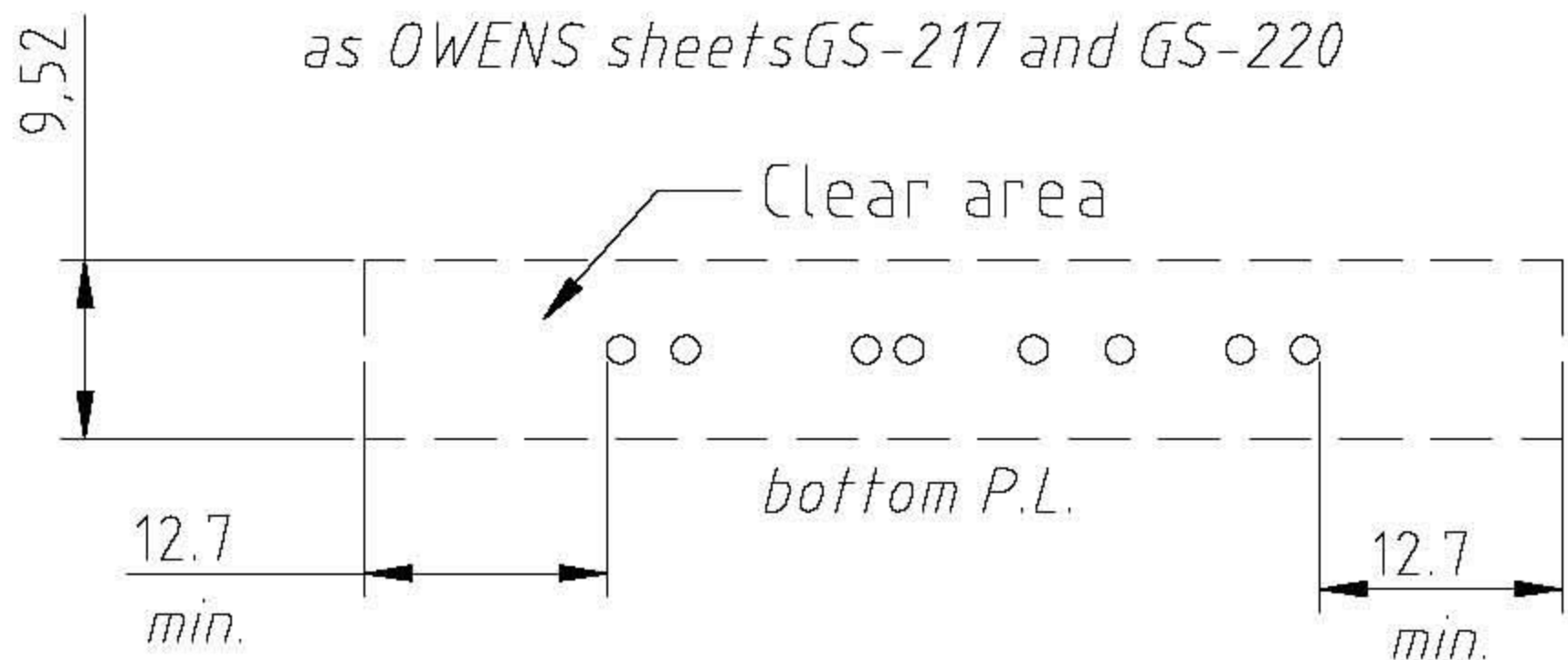


other dimensions and information  
as OWENS sheets GS-217 and GS-220



NAME	DATE	REVISIONS	MOLD NO.		A3	BOTTLE	
			FINISH	FIN079		31.4cl JAR	
			CAP. BRIMF.	314±5ml	MACHINE		
			CAP. FILLPT.		DATE	21/05/2009	
			FILL LINE		DRAWN	Dimov	CAT.No & DWG No
			WEIGHT	160±8gr	CHECKED	Angelov	8516079
			COLOR	FLINT	CONFIRMED		SHEET: 1/1 SCALE: 1:1